

Buzzer – Flange Mount

Active piezoelectric buzzer is fitted with flying leads and is panel or flange mounted. This mechanical buzzer has an internal drive circuit and has a single tone continuous sound output.

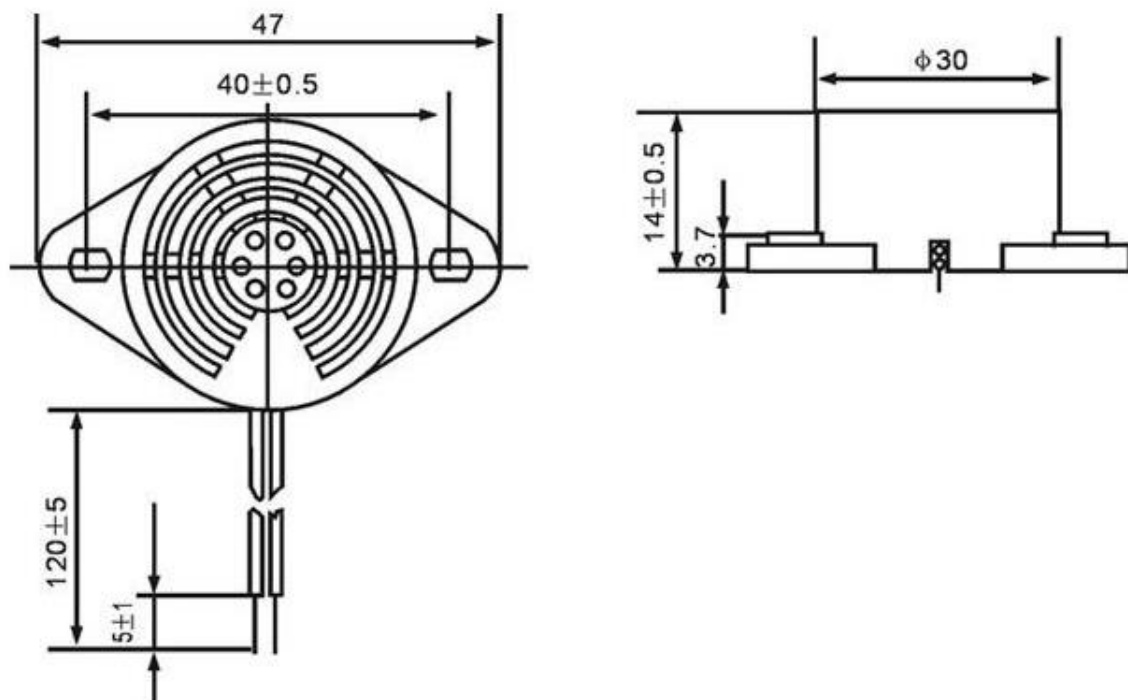


Technical Specifications

- Model No: BZM72
- Operating Voltage: 3~12V
- Supply Current:<12mA
- Resonant Frequency: 3100±500Hz
- Sound Output Type: Continuous
- Sound Level: 95dB@ 10cm
- Drive Type: Internal
- Mounting Type: Base Mount, Panel Mount.
- Dimensions: 47mm x 30mm x 14mm
- Diameter:Ø30mm

Mechanical Dimension

Unit: mm



Frequency Response

FREQUENCY RESPONSE

